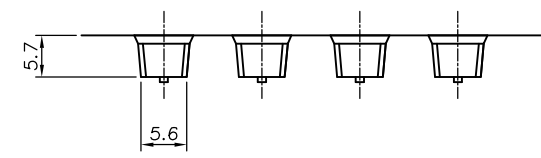
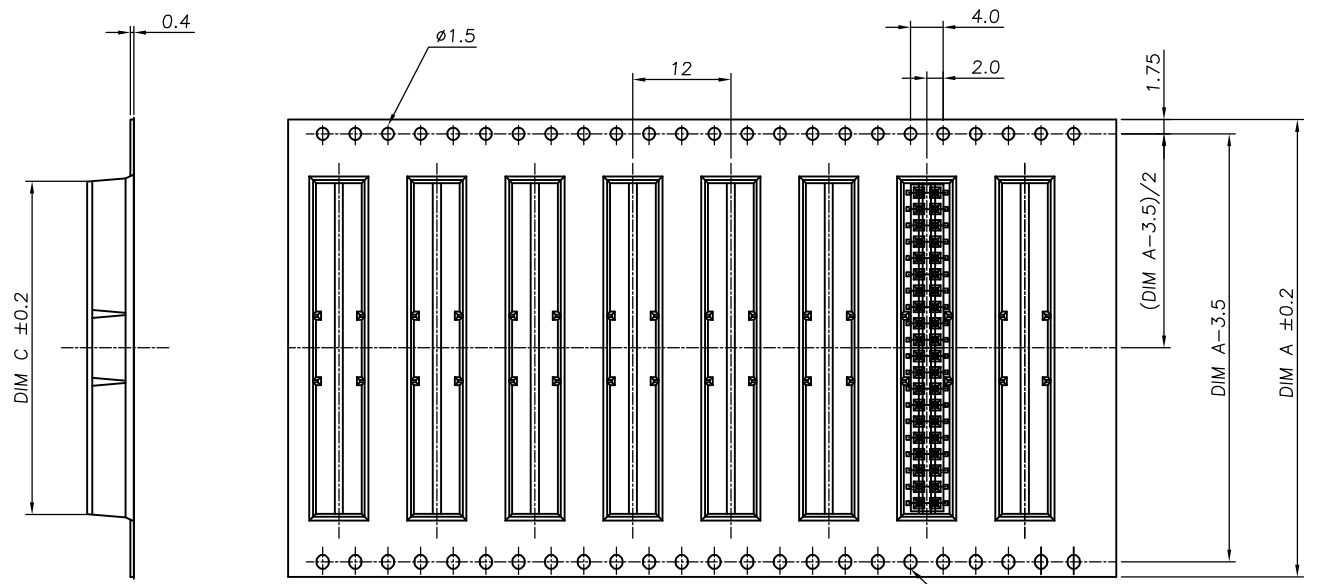
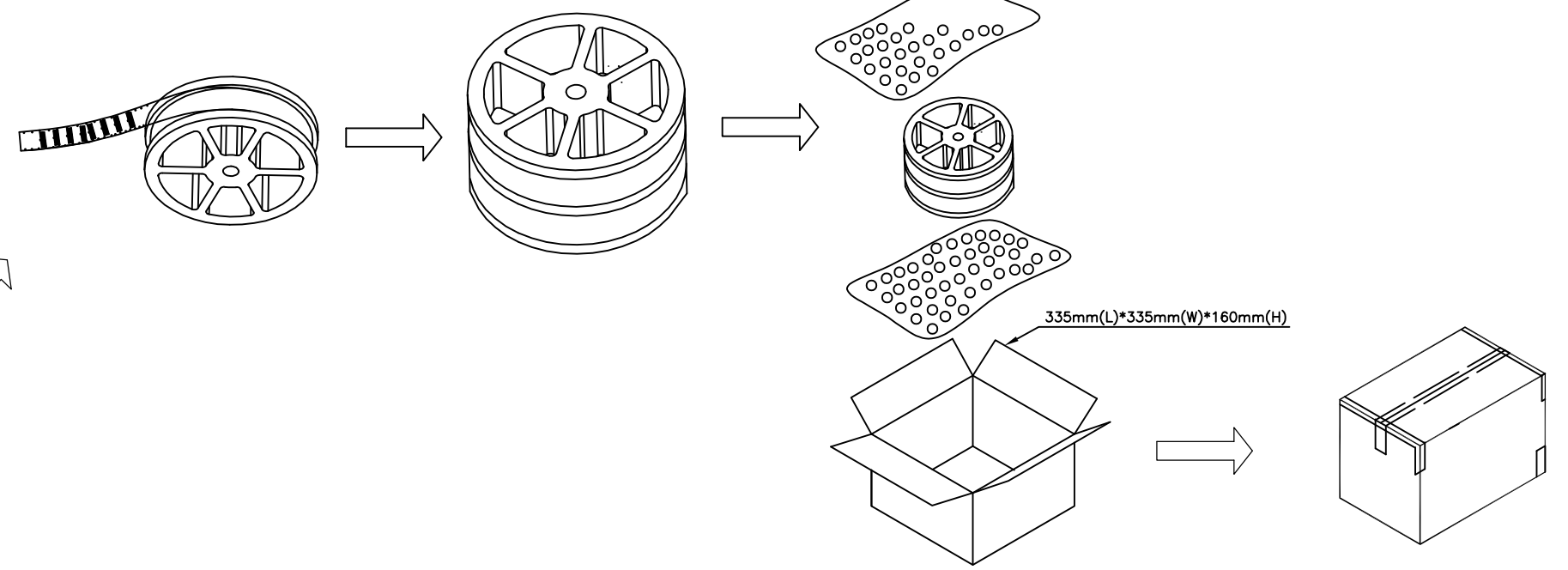
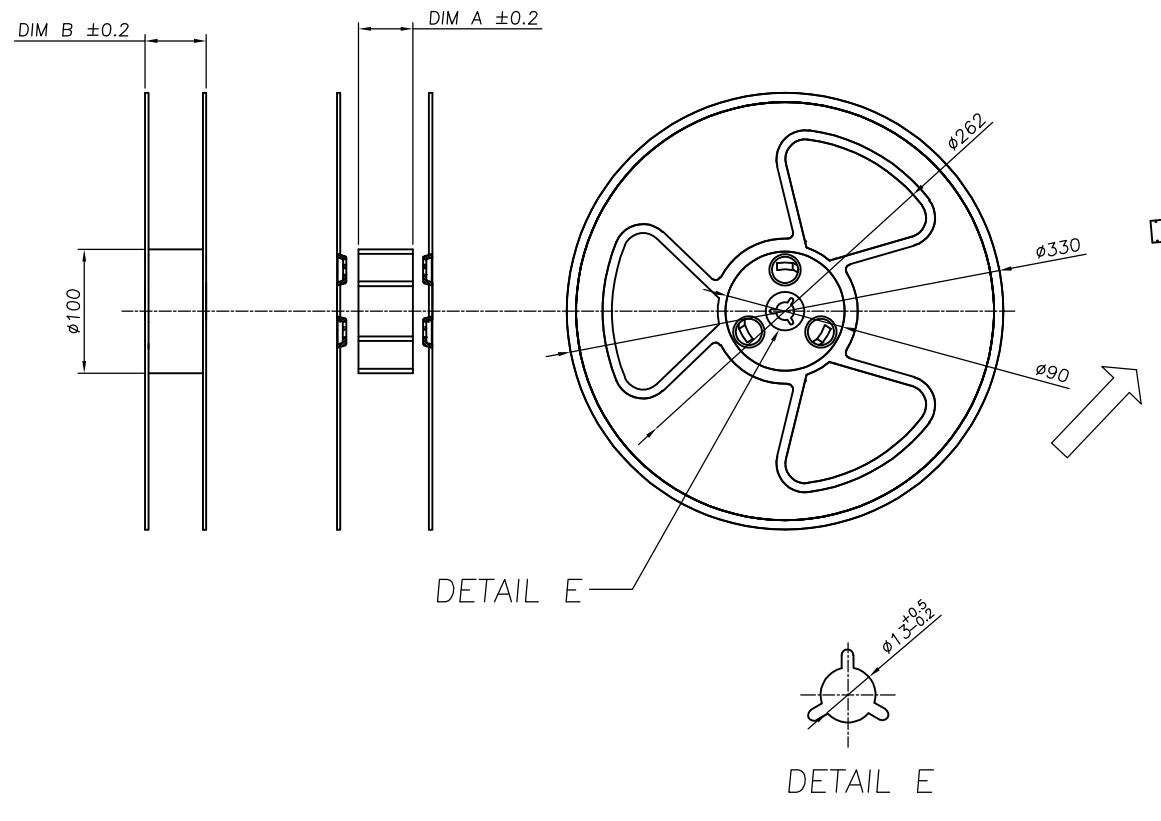


THIS DRAWING IS UNPUBLISHED
 © COPYRIGHT 2006 By -
 ALL RIGHTS RESERVED.

RELEASED FOR PUBLICATION
 AUG 2006.

LOC	DIST	REVISIONS					
IR	-	P	LTR	DESCRIPTION	DATE	DWN	APVD
		-		SEE SHEET 1	-	-	-



DIM B	DIM A (REEL WIDTH)	PCS/CARTON	PCS/REEL	No. of Contacts	PART NO.	
OBSOLETE	61	56	1,800	900	40	9-1734516-0
OBSOLETE			1,800	900	38	8-1734516-8
OBSOLETE			1,800	900	36	8-1734516-6
OBSOLETE			1,800	900	34	8-1734516-4
OBSOLETE			1,800	900	32	8-1734516-2
			1,800	900	30	8-1734516-0
OBSOLETE			1,800	900	28	7-1734516-8
OBSOLETE			1,800	900	26	7-1734516-6
OBSOLETE	49	44	2,700	900	24	7-1734516-4
OBSOLETE			2,700	900	22	7-1734516-2
OBSOLETE			2,700	900	20	7-1734516-0
OBSOLETE			2,700	900	18	6-1734516-8
OBSOLETE			2,700	900	16	6-1734516-6
OBSOLETE			2,700	900	14	6-1734516-4
OBSOLETE	29	24	2,700	900	12	6-1734516-2
			2,700	900	10	6-1734516-0
			2,700	900	8	5-1734516-8
			1,800	900	40	4-1734516-0
OBSOLETE	61	56	1,800	900	38	3-1734516-8
OBSOLETE			1,800	900	36	3-1734516-6
OBSOLETE			1,800	900	34	3-1734516-4
OBSOLETE			1,800	900	32	3-1734516-2
OBSOLETE			1,800	900	30	3-1734516-0
OBSOLETE			1,800	900	28	2-1734516-8
			1,800	900	26	2-1734516-6
OBSOLETE			2,700	900	24	2-1734516-4
OBSOLETE	49	44	2,700	900	22	2-1734516-2
			2,700	900	20	2-1734516-0
OBSOLETE			2,700	900	18	1-1734516-8
OBSOLETE			2,700	900	16	1-1734516-6
			2,700	900	14	1-1734516-4
OBSOLETE	29	24	2,700	900	12	1-1734516-2
OBSOLETE			2,700	900	10	1-1734516-0
			2,700	900	8	0-1734516-8

THIS DRAWING IS A CONTROLLED DOCUMENT.

DIMENSIONS:	TOLERANCES UNLESS OTHERWISE SPECIFIED:	DWN	07APR2006	 TE Connectivity			
mm		CHK	07APR2006				
		APVD	07APR2006				
		NAME	W.J.KE				
		PRODUCT SPEC	108-57197	AMPMODU 2.0mm PITCH, REC CONN, SMT, VERTICAL MOUNT			
		APPLICATION SPEC	-	SIZE	CAGE CODE	DRAWING NO	RESTRICTED TO
MATERIAL	FINISH	WEIGHT	-	A3	00779	C-1734516	-
SEE SHEET 1	SEE SHEET 1	CUSTOMER DRAWING		SCALE	5:1	SHEET	2 OF 2
				REV	A4		